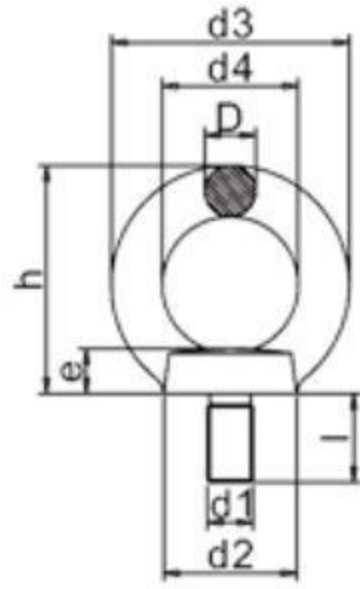


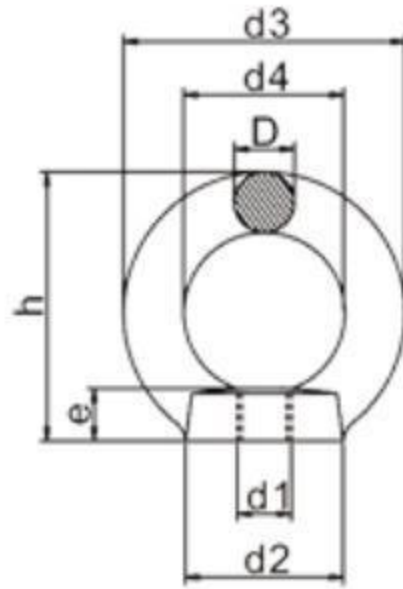
E-Catalog

DIN580 Eye Bolt
DIN580 吊环螺丝



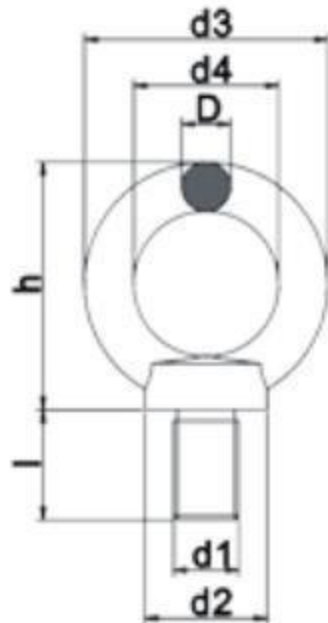
| d1 | d2 | d3 | d4 | h | l | ΦD | WLL |
|-----|------|------|------|------|------|------|------|
| mm | mm | mm | mm | mm | mm | mm | kg |
| M6 | 16 | 28 | 16 | 28 | 11 | 6 | 70 |
| M8 | 20 | 35 | 20 | 35 | 14 | 7.6 | 140 |
| M10 | 25 | 43.3 | 24.5 | 42.5 | 17 | 9.4 | 230 |
| M12 | 29 | 52 | 29 | 51 | 22 | 11.5 | 340 |
| M16 | 34 | 62.2 | 35 | 60 | 26.5 | 13.6 | 700 |
| M20 | 38.5 | 70.6 | 40 | 67 | 29.5 | 15.3 | 1200 |
| M24 | 50 | 90 | 50 | 89.5 | 37.5 | 20 | 1800 |
| M30 | 54 | 104 | 54 | 105 | 45 | 24 | 2600 |
| M36 | 75 | 126 | 70 | 126 | 54 | 28 | - |

DIN582 Eye Nut
DIN580 吊环螺母



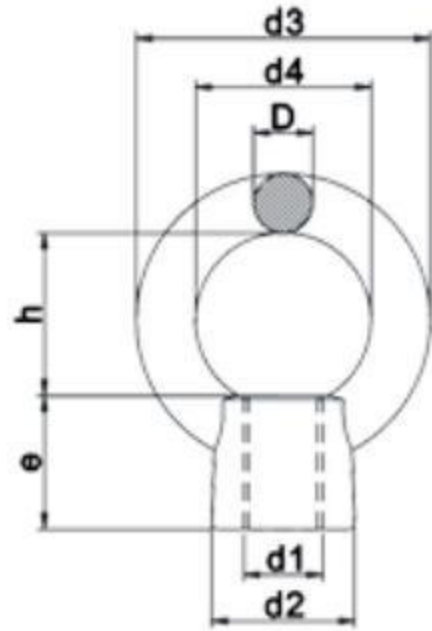
| d1 | d2 | d3 | d4 | h | ΦD | WLL |
|-----|------|------|------|------|------|------|
| mm | mm | mm | mm | mm | mm | kg |
| M6 | 16 | 28 | 16 | 28 | 6 | 70 |
| M8 | 20 | 35 | 20 | 35 | 7.6 | 140 |
| M10 | 24.5 | 43.3 | 24.5 | 42.5 | 9.4 | 230 |
| M12 | 29 | 52 | 29 | 51.5 | 11.5 | 340 |
| M16 | 35 | 62.2 | 35 | 61.5 | 13.6 | 700 |
| M20 | 39 | 70.6 | 40 | 70.5 | 15.3 | 1200 |
| M24 | 49 | 90 | 50 | 88 | 20 | 1800 |
| M30 | 55 | 104 | 54 | 104 | 25 | 2600 |
| M36 | 75 | 126 | 70 | 126 | 28 | - |

JIS1168 Eye Bolt
JIS 1168 吊环螺丝



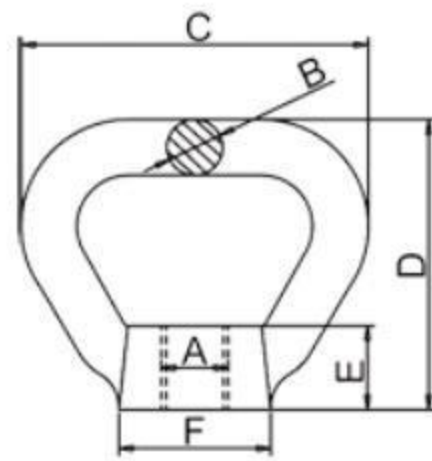
| d1 | d2 | d3 | d4 | h | l | ΦD | WLL |
|-----|------|------|------|----|------|-----|-----|
| mm | mm | mm | mm | mm | mm | mm | Kg |
| M6 | 12 | 26.5 | 16.5 | 25 | 14 | 5 | 50 |
| M8 | 15 | 31.4 | 20 | 32 | 15 | 5.7 | 80 |
| M10 | 19 | 39 | 25 | 40 | 18 | 7 | 150 |
| M12 | 22.5 | 48 | 30 | 48 | 21 | 9 | 220 |
| M16 | 28 | 58 | 36 | 60 | 27.5 | 11 | 450 |
| M20 | 32 | 70 | 40 | 70 | 31 | 15 | 630 |
| M24 | 41 | 86 | 50 | 86 | 36 | 18 | 950 |

JIS 1169 Eye Nut JIS 1169 吊环螺母



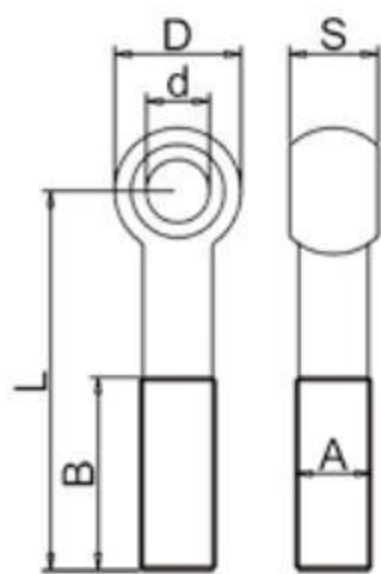
| d1 | d2 | d3 | d4 | h+e+d | ΦD | WLL |
|-----|------|------|------|-------|-----|-----|
| mm | mm | mm | mm | mm | mm | Kg |
| M6 | 12 | 26.5 | 16.5 | 31 | 5 | 50 |
| M8 | 15 | 31.4 | 20 | 39 | 5.7 | 80 |
| M10 | 19 | 39 | 25 | 47.5 | 7 | 150 |
| M12 | 22.5 | 48 | 30 | 57.5 | 9 | 220 |
| M16 | 28 | 58 | 36 | 69 | 11 | 450 |
| M20 | 32 | 70 | 40 | 79 | 15 | 630 |
| M24 | 41 | 86 | 50 | 102 | 18 | 950 |

Ring Nut 环型螺母



| Size(A) | ΦB | C | D | E | ΦF |
|---------|----|-----|-----|----|----|
| mm | mm | mm | mm | mm | mm |
| M10 | 8 | 60 | 47 | 12 | 20 |
| M12 | 10 | 65 | 52 | 15 | 23 |
| M14 | 10 | 66 | 52 | 15 | 23 |
| M16 | 12 | 75 | 60 | 18 | 29 |
| M18 | 12 | 75 | 60 | 18 | 29 |
| M20 | 13 | 85 | 71 | 22 | 35 |
| M24 | 14 | 97 | 83 | 26 | 45 |
| M30 | 16 | 110 | 120 | 35 | 59 |

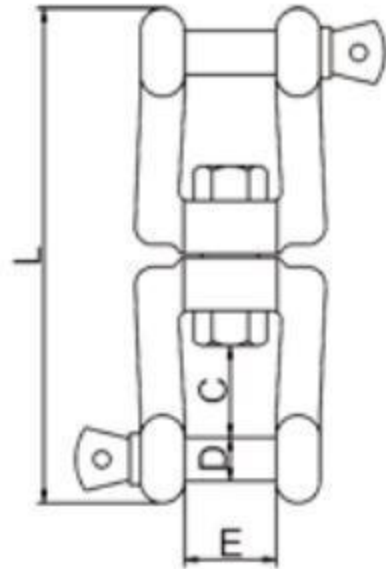
Eye Screw 活接螺栓



| Size(A) | B | D | d | S | L |
|---------|----|----|----|----|--------|
| mm | mm | mm | mm | mm | mm |
| M4 | 14 | 8 | 3 | 5 | 20-35 |
| M5 | 16 | 10 | 4 | 6 | 25-45 |
| M6 | 18 | 12 | 5 | 8 | 30-50 |
| M8 | 22 | 14 | 6 | 10 | 35-70 |
| M10 | 26 | 18 | 8 | 12 | 40-110 |
| M12 | 30 | 20 | 10 | 14 | 50-130 |
| M16 | 38 | 28 | 12 | 18 | 60-160 |
| M20 | 52 | 34 | 16 | 22 | 70-180 |
| M24 | 60 | 42 | 20 | 26 | 90-260 |

Swivel Jaw and Jaw

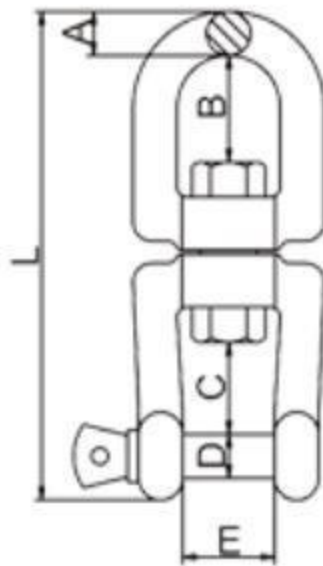
叉叉旋转环



| Size(ΦS) | C | D | E | L | WLL |
|----------|----|----|------|-----|------|
| mm | mm | | mm | mm | kg |
| 4 | 10 | 5 | 8 | 48 | 80 |
| 5 | 11 | 5 | 10.5 | 60 | 100 |
| 6 | 12 | 6 | 12 | 67 | 150 |
| 8 | 17 | 8 | 17 | 88 | 300 |
| 10 | 20 | 10 | 21 | 107 | 500 |
| 12 | 22 | 12 | 25 | 125 | 1000 |
| 13 | 28 | 13 | 26 | 152 | 1000 |
| 16 | 39 | 16 | 33 | 180 | 1500 |
| 20 | 41 | 20 | 46 | 228 | 2000 |
| 22 | 47 | 22 | 52 | 254 | / |

Swivel Jaw and Eye

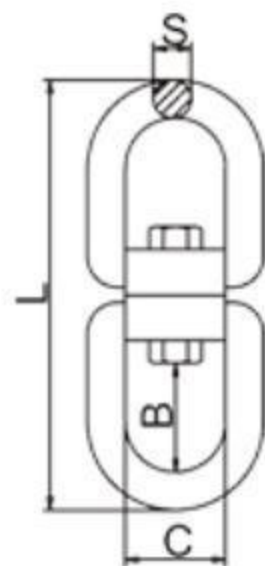
圈叉旋转环



| Size | A | B | C | D | E | L | WLL |
|------|------|----|----|----|------|-----|------|
| mm | mm | mm | mm | mm | mm | mm | kg |
| 4 | 3.8 | 10 | 11 | 4 | 8 | 48 | 80 |
| 5 | 4.8 | 14 | 11 | 5 | 10.5 | 60 | 100 |
| 6 | 5.5 | 17 | 12 | 6 | 12 | 67 | 150 |
| 8 | 7.3 | 21 | 17 | 8 | 17 | 88 | 300 |
| 10 | 9.2 | 26 | 20 | 10 | 21 | 107 | 500 |
| 12 | 11 | 27 | 22 | 12 | 25 | 125 | 1000 |
| 13 | 12.2 | 30 | 28 | 13 | 26 | 152 | 1000 |
| 16 | 15 | 44 | 39 | 16 | 33 | 180 | 1500 |
| 20 | 19 | 46 | 41 | 20 | 46 | 228 | 2000 |
| 22 | 20.5 | 52 | 47 | 22 | 52 | 254 | / |

Swivel Eye and Eye

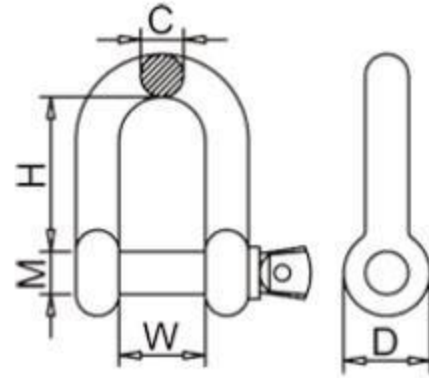
圈圈旋转环



| Size | S | B | C | L | WLL |
|------|------|----|----|-----|------|
| mm | mm | mm | mm | mm | kg |
| 4 | 3.8 | 10 | 12 | 48 | 80 |
| 5 | 4.8 | 14 | 14 | 60 | 100 |
| 6 | 5.5 | 17 | 16 | 67 | 150 |
| 8 | 7.3 | 21 | 20 | 88 | 300 |
| 10 | 9.2 | 26 | 23 | 107 | 500 |
| 12 | 11 | 27 | 26 | 125 | 1000 |
| 13 | 12.2 | 30 | 28 | 152 | 1000 |
| 16 | 15 | 44 | 38 | 180 | 1500 |
| 20 | 19 | 46 | 41 | 228 | 2000 |
| 22 | 20.5 | 52 | 47 | 254 | / |

European D Type Shackle

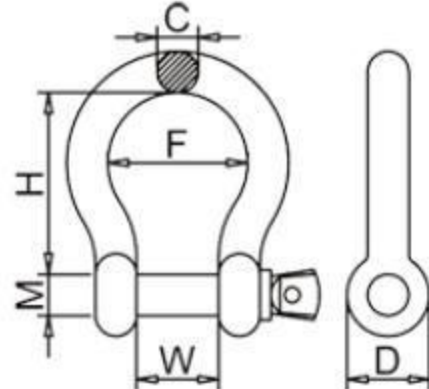
欧式 D 型卸扣



| Size(M) | C | H | W | D | WLL |
|---------|------|-----|----|----|------|
| mm | mm | mm | mm | mm | kg |
| M4 | 4 | 16 | 8 | 8 | 60 |
| M5 | 5 | 20 | 10 | 10 | 80 |
| M6 | 6 | 24 | 12 | 12 | 100 |
| M8 | 8 | 32 | 16 | 16 | 200 |
| M10 | 10 | 40 | 20 | 20 | 320 |
| M12 | 12 | 48 | 24 | 24 | 520 |
| M14 | 13.5 | 56 | 28 | 28 | 700 |
| M16 | 16 | 64 | 32 | 32 | 800 |
| M20 | 19 | 80 | 40 | 40 | 1100 |
| M22 | 21 | 90 | 44 | 44 | 1500 |
| M24 | 24 | 96 | 48 | 48 | 2100 |
| M28 | 28 | 112 | 56 | 56 | 3000 |

European Bow Type Shackle

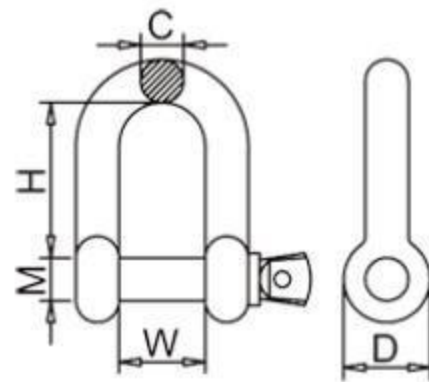
欧式弓形卸扣



| Size(M) | C | H | W | F | D | WLL |
|---------|----|-----|----|------|----|------|
| mm | mm | mm | mm | mm | mm | kg |
| M4 | 4 | 16 | 8 | 12 | 8 | 60 |
| M5 | 5 | 20 | 10 | 17 | 10 | 80 |
| M6 | 6 | 24 | 12 | 20 | 12 | 100 |
| M8 | 8 | 32 | 16 | 27 | 16 | 200 |
| M10 | 10 | 40 | 20 | 33 | 20 | 320 |
| M12 | 12 | 48 | 24 | 39 | 24 | 520 |
| M14 | 14 | 56 | 28 | 46.5 | 28 | 700 |
| M16 | 16 | 64 | 32 | 52.5 | 32 | 800 |
| M20 | 20 | 80 | 40 | 65 | 40 | 1100 |
| M22 | 22 | 90 | 44 | 76 | 44 | 1500 |
| M24 | 24 | 96 | 48 | 79.5 | 48 | 2100 |
| M28 | 28 | 112 | 56 | 89 | 56 | 3000 |

JIS D Type Shackle

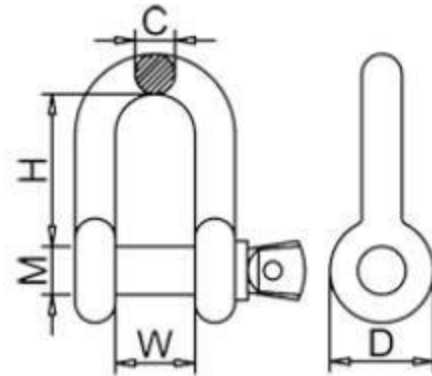
日式 D 型卸扣



| Size(M) | C | H | W | D | WLL |
|---------|----|------|----|----|------|
| mm | mm | mm | mm | mm | kg |
| M4 | 4 | 14 | 8 | 8 | 60 |
| M5 | 5 | 17.5 | 10 | 10 | 80 |
| M6 | 6 | 21 | 12 | 12 | 100 |
| M8 | 8 | 28 | 16 | 16 | 200 |
| M10 | 10 | 35 | 20 | 20 | 320 |
| M12 | 12 | 45.5 | 24 | 24 | 520 |
| M14 | 14 | 49 | 28 | 28 | 700 |
| M16 | 16 | 56 | 32 | 32 | 800 |
| M20 | 20 | 70 | 40 | 40 | 1100 |
| M22 | 22 | 77 | 44 | 44 | 1500 |
| M24 | 24 | 84 | 48 | 48 | 2100 |
| M28 | 28 | 98 | 56 | 56 | 3000 |

US D Type Shackle

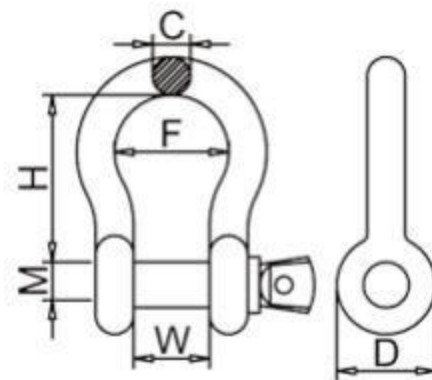
美式 D 型卸扣



| Size | M | C | W | H | D | WLL |
|-------|------|------|------|------|------|-------|
| inch | inch | inch | inch | inch | inch | Kg |
| 3/16 | 0.25 | 0.19 | 0.38 | 0.75 | 0.56 | 350 |
| 1/4 | 0.31 | 0.25 | 0.47 | 0.88 | 0.61 | 500 |
| 5/16 | 0.38 | 0.31 | 0.53 | 1.03 | 0.75 | 750 |
| 3/8 | 0.44 | 0.38 | 0.66 | 1.25 | 0.91 | 1000 |
| 7/16 | 0.5 | 0.44 | 0.75 | 1.44 | 1.06 | 1500 |
| 1/2 | 0.62 | 0.5 | 0.81 | 1.63 | 1.19 | 2000 |
| 5/8 | 0.75 | 0.62 | 1.06 | 2 | 1.5 | 3250 |
| 3/4 | 0.88 | 0.75 | 1.25 | 2.38 | 1.81 | 4750 |
| 7/8 | 1 | 0.88 | 1.44 | 2.81 | 2.09 | 6500 |
| 1 | 1.13 | 1 | 1.69 | 3.19 | 2.38 | 8500 |
| 1-1/8 | 1.25 | 1.13 | 1.81 | 3.58 | 2.69 | 9500 |
| 1-1/4 | 1.38 | 1.25 | 2.03 | 3.94 | 3 | 12000 |
| 1-3/8 | 1.5 | 1.38 | 2.25 | 4.38 | 3.31 | 13500 |
| 1-1/2 | 1.62 | 1.5 | 2.38 | 4.81 | 3.63 | 17000 |
| 1-3/4 | 2 | 1.75 | 2.88 | 5.75 | 4.19 | 25000 |
| 2 | 2.25 | 2 | 3.25 | 6.75 | 4.85 | 35000 |
| 2-1/2 | 2.75 | 2.62 | 4.13 | 8 | 5.69 | 50000 |

US Bow Type Shackle

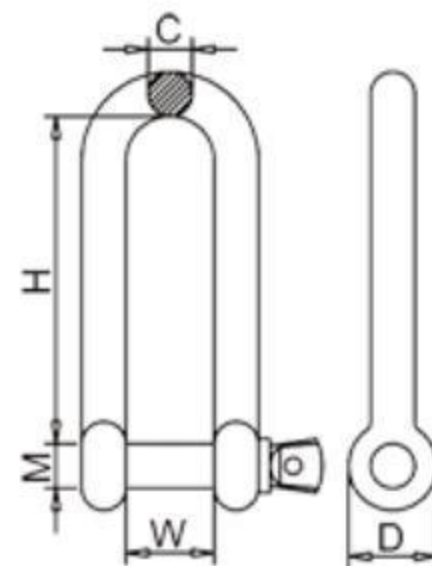
美式弓形卸扣



| Size | M | C | W | H | F | D | WLL |
|-------|------|------|------|------|------|------|-------|
| inch | inch | inch | inch | inch | inch | inch | Kg |
| 3/16 | 0.25 | 0.19 | 0.38 | 0.88 | 0.6 | 0.56 | 350 |
| 1/4 | 0.31 | 0.25 | 0.47 | 1.13 | 0.78 | 0.61 | 500 |
| 5/16 | 0.38 | 0.31 | 0.53 | 1.22 | 0.84 | 0.75 | 750 |
| 3/8 | 0.44 | 0.38 | 0.66 | 1.44 | 1.03 | 0.91 | 1000 |
| 7/16 | 0.5 | 0.44 | 0.75 | 1.69 | 1.16 | 1.06 | 1500 |
| 1/2 | 0.63 | 0.5 | 0.81 | 1.88 | 1.31 | 1.19 | 2000 |
| 5/8 | 0.75 | 0.63 | 1.06 | 2.38 | 1.69 | 1.5 | 3250 |
| 3/4 | 0.88 | 0.75 | 1.25 | 2.81 | 2 | 1.81 | 4750 |
| 7/8 | 1 | 0.81 | 1.44 | 3.3 | 2.28 | 2.09 | 6500 |
| 1 | 1.13 | 1 | 1.69 | 3.75 | 2.69 | 2.38 | 8500 |
| 1-1/8 | 1.25 | 1.13 | 1.81 | 4.25 | 2.91 | 2.69 | 9500 |
| 1-1/4 | 1.38 | 1.25 | 2.03 | 4.69 | 3.25 | 3 | 12000 |
| 1-3/8 | 1.5 | 1.38 | 2.25 | 5.25 | 3.63 | 3.31 | 13500 |
| 1-1/2 | 1.63 | 1.5 | 2.38 | 5.75 | 3.88 | 3.63 | 17000 |
| 1-3/4 | 2 | 1.75 | 2.88 | 7 | 5 | 4.19 | 25000 |
| 2 | 2.25 | 2 | 3.25 | 7.75 | 5.75 | 4.85 | 35000 |
| 2-1/2 | 2.75 | 2.62 | 4.13 | 10.5 | 7.25 | 5.69 | 50000 |

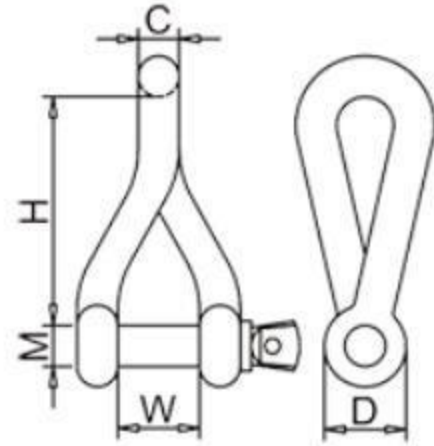
Long D Type Shackle

长 D 卸扣



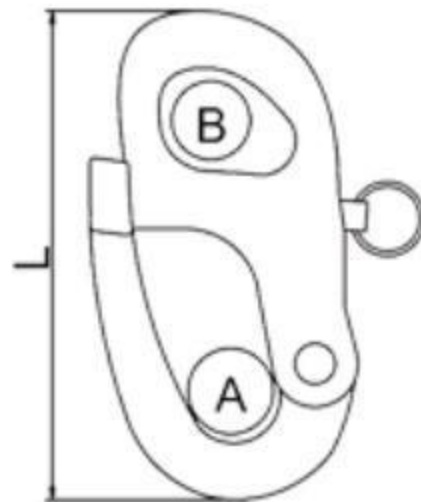
| Size(M) | C | H | W | D | WLL |
|---------|----|-----|----|----|-----|
| mm | mm | mm | mm | mm | kg |
| M4 | 4 | 30 | 8 | 8 | 60 |
| M5 | 5 | 37 | 10 | 10 | 80 |
| M6 | 6 | 45 | 12 | 12 | 100 |
| M8 | 8 | 60 | 16 | 16 | 200 |
| M10 | 10 | 75 | 20 | 20 | 320 |
| M12 | 12 | 90 | 24 | 24 | 520 |
| M14 | 14 | 105 | 28 | 28 | 700 |
| M16 | 16 | 120 | 32 | 32 | 800 |

Twist Shackle 扭体卸扣



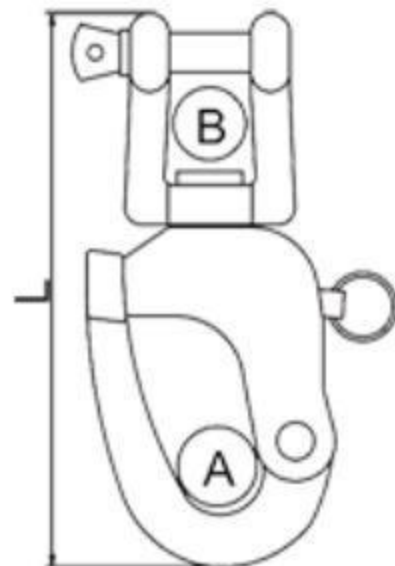
| Size(M) | C | H | W | D | WLL |
|---------|----|------|----|----|-----|
| mm | mm | mm | mm | mm | Kg |
| M4 | 4 | 22 | 8 | 8 | 90 |
| M5 | 5 | 27.5 | 10 | 10 | 120 |
| M6 | 6 | 33 | 12 | 12 | 175 |
| M8 | 8 | 44 | 16 | 16 | 300 |
| M10 | 10 | 55 | 20 | 20 | 580 |
| M12 | 12 | 66 | 24 | 24 | 700 |

Fixed Snap Shackle 固定弹簧卸扣



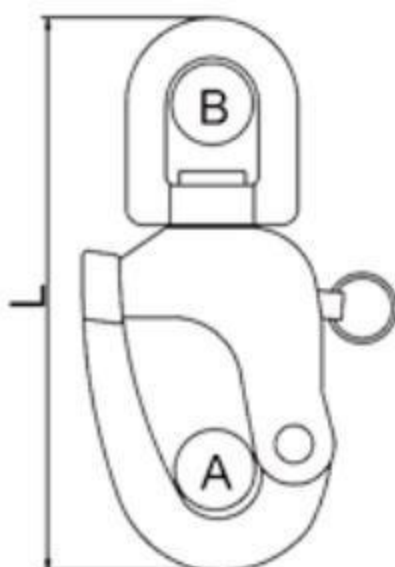
| Size(L) | A | B | WLL |
|---------|----|----|-----|
| mm | mm | mm | kg |
| 35 | 9 | 7 | 100 |
| 52 | 12 | 9 | 450 |
| 66 | 16 | 12 | 650 |
| 96 | 22 | 16 | 950 |

Swivel Snap Jaw Shackle 旋转叉式弹簧卸扣



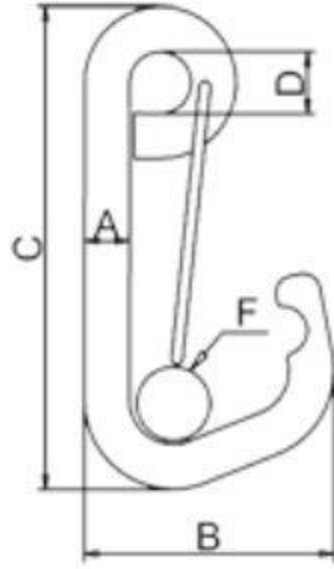
| Size(L) | A | B | WLL |
|---------|----|----|-----|
| mm | mm | mm | kg |
| 70 | 16 | 12 | 450 |
| 87 | 20 | 16 | 650 |
| 128 | 28 | 23 | 950 |

Swivel Snap Eye Shackle 旋转环式弹簧卸扣



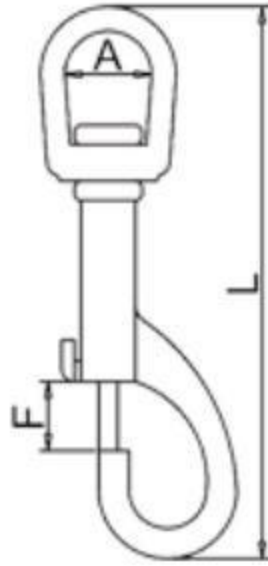
| Size(L) | A | B | WLL |
|---------|----|----|-----|
| mm | mm | mm | kg |
| 70 | 16 | 12 | 450 |
| 87 | 20 | 16 | 650 |
| 128 | 28 | 23 | 950 |

Simple Snap Hook 简易弹簧钩



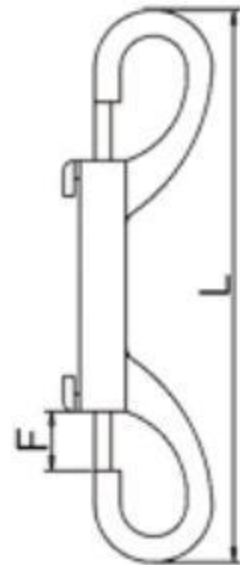
| Size(Φ A) | B | C | D | F | WLL |
|-----------------|-----|-----|----|----|------|
| mm | mm | mm | mm | mm | kg |
| 6 | 32 | 60 | 9 | 12 | 70 |
| 8 | 45 | 80 | 12 | 17 | 125 |
| 10 | 57 | 100 | 15 | 23 | 200 |
| 12 | 68 | 120 | 18 | 28 | 300 |
| 14 | 79 | 140 | 21 | 32 | 450 |
| 16 | 91 | 160 | 24 | 37 | 800 |
| 18 | 102 | 180 | 27 | 47 | 1000 |
| 20 | 120 | 200 | 29 | 59 | 1200 |

Single Swivel Eye Snap 单头钩



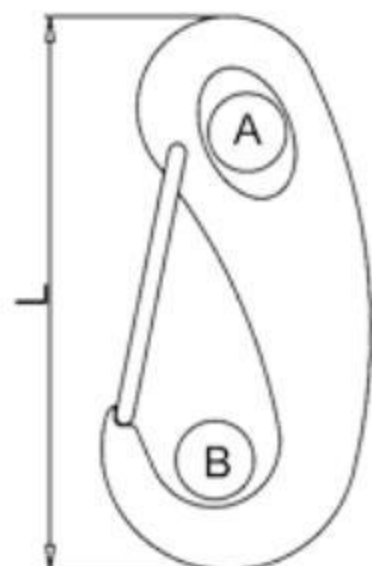
| Size(L) | A | F | WLL |
|---------|------|------|-----|
| mm | mm | mm | Kg |
| 65 | 11.5 | 9.0 | 30 |
| 70 | 13.5 | 9.5 | 50 |
| 80 | 17.5 | 10 | 100 |
| 90 | 21.5 | 11.5 | 120 |
| 125 | 34 | 14 | 180 |

Double Ended Snap Hook 双头钩



| Size(L) | F | WLL |
|---------|----|-----|
| mm | mm | Kg |
| 65 | 7 | 30 |
| 76 | 8 | 40 |
| 90 | 10 | 50 |
| 100 | 10 | 90 |
| 115 | 12 | 110 |

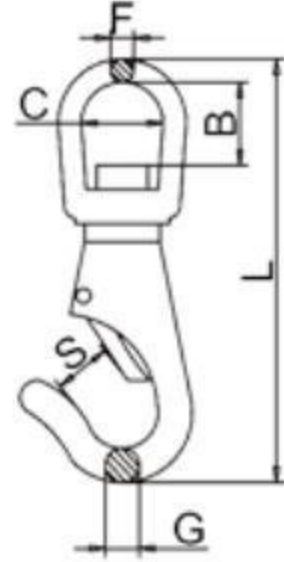
Spring Snap 蛋型弹簧钩



| Size(L) | A | B | WLL |
|---------|------|-----|-----|
| mm | mm | mm | kg |
| 30 | 4.5 | 5.0 | 40 |
| 40 | 5.5 | 5.5 | 60 |
| 50 | 8.0 | 11 | 70 |
| 70 | 9.5 | 12 | 200 |
| 100 | 15.0 | 19 | 400 |

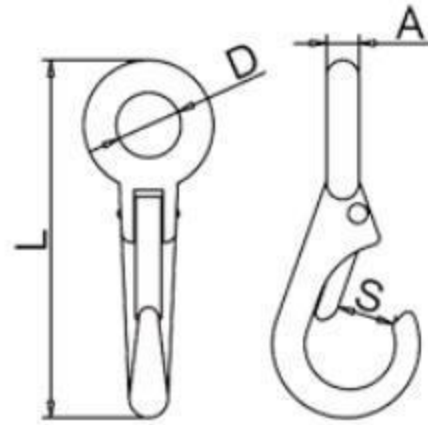
Universal Swivel Hook

万向钩



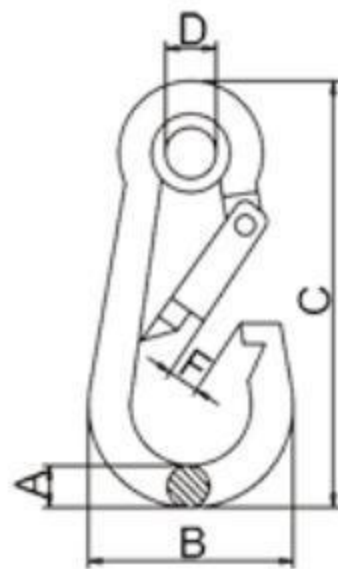
| Size(Φ F) | L | C | B | Φ G | S | WLL |
|-----------------|-----|----|----|----------|-----|-----|
| mm | mm | mm | mm | mm | mm | kg |
| 4(#0) | 68 | 16 | 17 | 5 | 6.5 | 50 |
| 5(#1) | 87 | 19 | 20 | 6 | 9 | 70 |
| 6(#2) | 100 | 21 | 20 | 8 | 14 | 120 |
| 7(#3) | 118 | 27 | 20 | 8 | 16 | 150 |

定向钩 Directional Hook

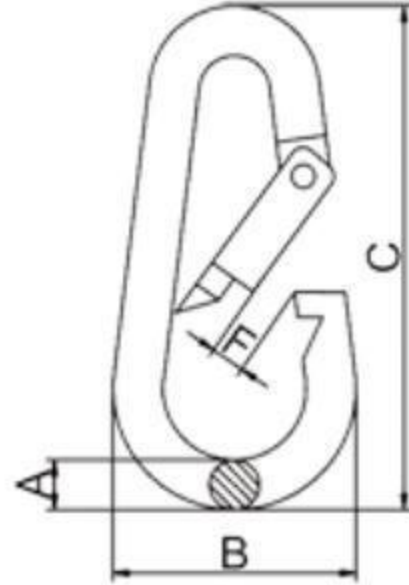


| Size(Φ A) | D | L | S | WLL |
|-----------------|----|-----|----|-----|
| mm | mm | mm | mm | kg |
| 4(#0) | 10 | 53 | 7 | 50 |
| 5(#1) | 16 | 72 | 11 | 70 |
| 6(#2) | 19 | 83 | 13 | 120 |
| 7(#3) | 22 | 100 | 16 | 150 |

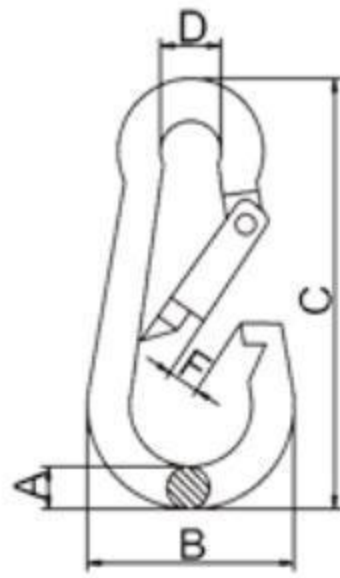
DIN5299A Snap Hook 带圈弹簧钩 5299A



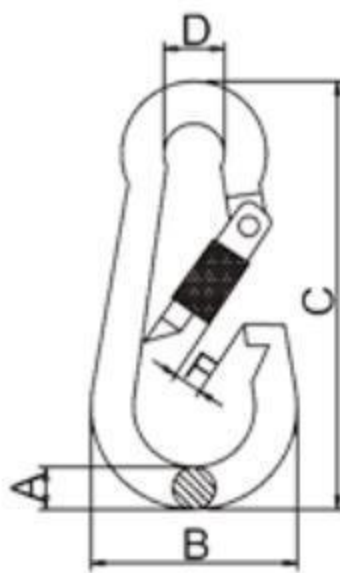
| Size(Φ A) | B | C | D | F | WLL |
|-----------------|----|-----|----|----|-----|
| mm | mm | mm | mm | mm | kg |
| 4 | 20 | 40 | 5 | 7 | 40 |
| 5 | 25 | 50 | 5 | 7 | 50 |
| 6 | 30 | 60 | 5 | 8 | 70 |
| 7 | 35 | 70 | 7 | 8 | 100 |
| 8 | 40 | 80 | 10 | 9 | 125 |
| 9 | 45 | 90 | 10 | 10 | 140 |
| 10 | 50 | 100 | 13 | 11 | 200 |
| 11 | 57 | 120 | 13 | 16 | 250 |
| 12 | 67 | 140 | 15 | 19 | 300 |
| 13 | 74 | 160 | 17 | 25 | 350 |
| 14 | 86 | 180 | 17 | 35 | 450 |

DIN5299B Pear Snap Hook
梨形弹簧钩 5299B


| Size(Φ A) | B | C | F | WLL |
|-----------------|----|-----|----|-----|
| mm | mm | mm | mm | kg |
| 5 | 25 | 50 | 7 | 50 |
| 6 | 30 | 60 | 8 | 70 |
| 7 | 35 | 70 | 8 | 100 |
| 8 | 40 | 80 | 9 | 125 |
| 9 | 45 | 90 | 10 | 140 |
| 10 | 50 | 100 | 11 | 200 |
| 11 | 57 | 120 | 16 | 250 |
| 12 | 67 | 140 | 19 | 300 |

DIN5299C Snap Hook
弹簧钩 DIN5299C


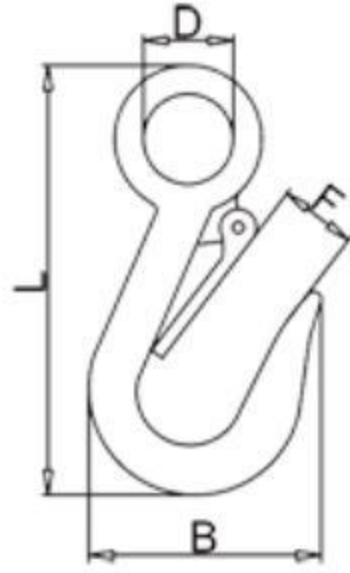
| Size(Φ A) | B | C | D | F | WLL |
|-----------------|----|-----|----|----|-----|
| mm | mm | mm | mm | mm | kg |
| 4 | 20 | 40 | 7 | 7 | 40 |
| 5 | 25 | 50 | 8 | 7 | 50 |
| 6 | 30 | 60 | 9 | 8 | 70 |
| 7 | 35 | 70 | 10 | 8 | 100 |
| 8 | 40 | 80 | 12 | 9 | 125 |
| 9 | 45 | 90 | 12 | 10 | 140 |
| 10 | 50 | 100 | 15 | 11 | 200 |
| 11 | 57 | 120 | 18 | 16 | 250 |
| 12 | 67 | 140 | 20 | 19 | 300 |
| 13 | 74 | 160 | 22 | 25 | 350 |
| 14 | 86 | 180 | 22 | 35 | 450 |

DIN5299D Snap Hook
螺母弹簧钩 5299D


| Size(Φ A) | B | C | D | F | WLL |
|-----------------|----|-----|----|----|-----|
| mm | mm | mm | mm | mm | kg |
| 4 | 20 | 40 | 7 | 7 | 40 |
| 5 | 25 | 50 | 8 | 7 | 50 |
| 6 | 30 | 60 | 9 | 8 | 70 |
| 7 | 35 | 70 | 10 | 8 | 100 |
| 8 | 40 | 80 | 12 | 9 | 125 |
| 9 | 45 | 90 | 12 | 10 | 140 |
| 10 | 50 | 100 | 15 | 11 | 200 |
| 11 | 57 | 120 | 18 | 16 | 250 |
| 12 | 67 | 140 | 20 | 19 | 300 |
| 13 | 74 | 160 | 22 | 25 | 350 |
| 14 | 86 | 180 | 22 | 35 | 450 |

Eye Slip Hook with Latch

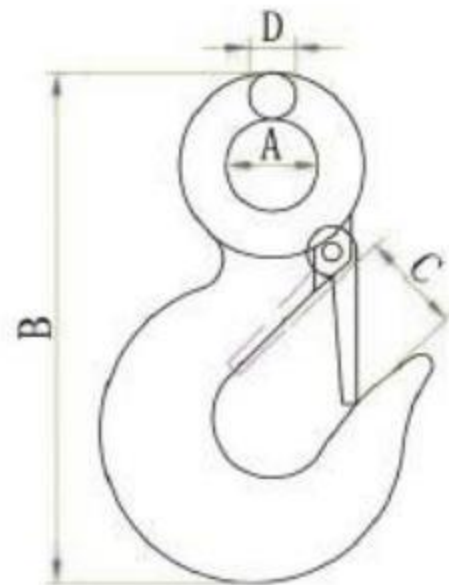
大眼货钩



| Size(D) | B | D | L | F | WLL |
|---------|----|------|-----|----|-----|
| \ | mm | mm | mm | mm | kg |
| 0.2T | 46 | 18.5 | 92 | 15 | 200 |
| 0.3T | 50 | 19.5 | 102 | 17 | 300 |
| 0.5T | 57 | 28 | 119 | 18 | 500 |

US Type Eye Slip Hook with Latch

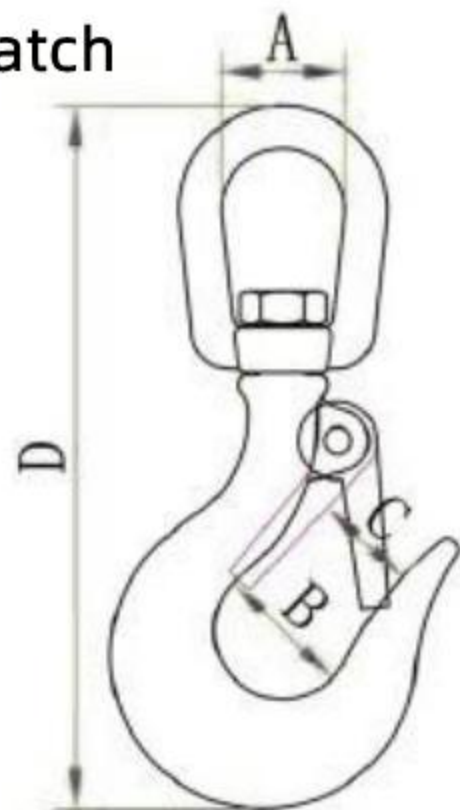
美式货钩



| Size(D) | A | B | C | D | WLL |
|---------|------|-------|------|------|------|
| \ | mm | mm | mm | mm | kg |
| 0.5T | 16.5 | 90 | 16 | 8 | 500 |
| 0.75T | 18.5 | 101.5 | 18.5 | 9 | 750 |
| 1.0T | 23 | 114.5 | 21 | 11 | 1000 |
| 1.5T | 28 | 129.5 | 21.5 | 12 | 1500 |
| 2.0T | 32 | 153 | 26 | 15 | 2000 |
| 3.0T | 38 | 182.5 | 31.5 | 17.5 | 3000 |

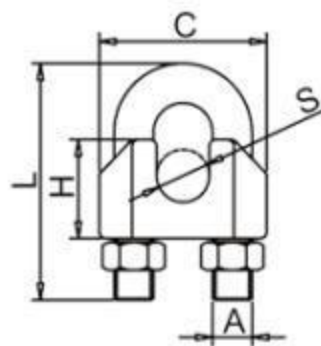
Eye Swivel Hook with Latch

圈式旋转货钩



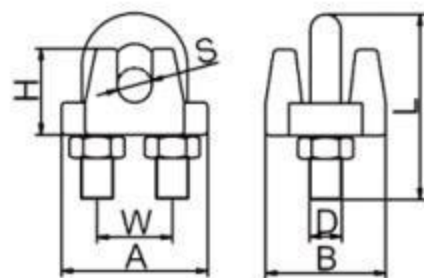
| Size(D) | A | B | C | D | WLL |
|---------|------|------|------|-----|------|
| inch | mm | mm | mm | mm | kg |
| 3/16 | 15.8 | 17.6 | 11 | 90 | 150 |
| 1/4 | 22 | 23.9 | 16.9 | 114 | 350 |
| 5/16 | 27 | 26.7 | 20.5 | 138 | 650 |
| 3/8 | 28.5 | 32.8 | 23.5 | 158 | 1000 |
| 1/2 | 36 | 37.8 | 31 | 190 | 1500 |

DIN741 Wire Rope Clip DIN741 卡头



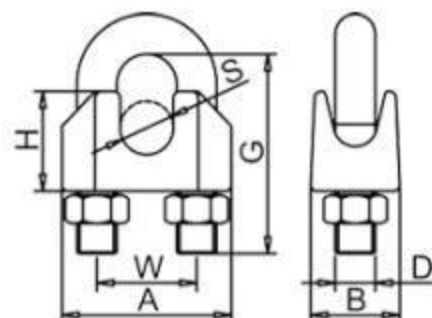
| (ΦS) | A | C | H | L |
|------|-----|----|------|------|
| mm | mm | mm | mm | mm |
| 2 | M3 | 17 | 9.5 | 21 |
| 3 | M4 | 21 | 10 | 21 |
| 4 | M4 | 21 | 10 | 23.5 |
| 5 | M5 | 23 | 10 | 26 |
| 6 | M6 | 25 | 11 | 29 |
| 8 | M6 | 29 | 14 | 33 |
| 10 | M8 | 33 | 16.5 | 43 |
| 12 | M10 | 40 | 18 | 50 |
| 16 | M12 | 49 | 25 | 65 |
| 18 | M12 | 52 | 30 | 77 |
| 20 | M12 | 52 | 30 | 77 |
| 22 | M12 | 60 | 34 | 88 |
| 24 | M12 | 67 | 34 | 86 |

JIS Wire Rope Clip 日式卡头



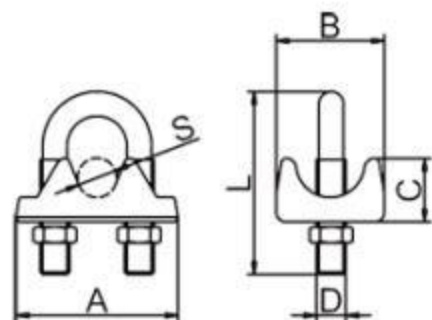
| (ΦS) | A | B | H | D | L | W |
|------|----|------|------|-----|------|------|
| mm | mm | mm | mm | mm | mm | mm |
| 2 | 15 | 12 | 9 | M3 | 20 | 8 |
| 3 | 16 | 14 | 12 | M4 | 21 | 8 |
| 4 | 17 | 15.5 | 11.5 | M4 | 22 | 8 |
| 5 | 23 | 18.5 | 14 | M5 | 28.5 | 12 |
| 6 | 27 | 20.5 | 17 | M6 | 33 | 14.5 |
| 8 | 34 | 27 | 20 | M8 | 40 | 17.5 |
| 10 | 43 | 33.5 | 23 | M10 | 50 | 21 |
| 12 | 50 | 37.5 | 26.5 | M12 | 63.4 | 25.5 |
| 14 | 52 | 42 | 31 | M12 | 68 | 28.5 |
| 16 | 59 | 45 | 36.5 | M14 | 70 | 32 |

US Type Malleable Wire Rope Clip 美式玛钢卡头



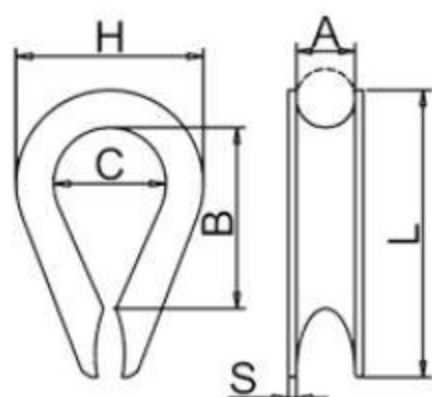
| (ΦS) | A | B | H | D | G | W |
|------|------|------|------|------|------|------|
| inch | mm | mm | mm | inch | mm | mm |
| 1/8 | 22 | 13 | 11 | 3/16 | 20 | 11 |
| 3/16 | 26 | 15 | 13 | 1/4 | 24 | 14.5 |
| 1/4 | 32 | 18 | 15 | 5/16 | 31.5 | 17 |
| 5/16 | 35 | 18 | 16 | 5/16 | 34 | 18.5 |
| 3/8 | 40.5 | 20 | 22 | 3/8 | 42 | 22.5 |
| 7/16 | 43 | 20 | 22 | 3/8 | 43 | 24 |
| 1/2 | 49 | 24.5 | 22.5 | 7/16 | 54 | 27 |
| 9/16 | 52.5 | 24.5 | 27 | 1/2 | 55 | 30 |
| 5/8 | 57.5 | 26 | 28 | 1/2 | 60 | 33 |
| 3/4 | 61 | 30.5 | 34 | 9/16 | 69 | 34.5 |
| 7/8 | 71 | 37 | 38 | 5/8 | 78 | 41 |
| 1 | 77.5 | 42 | 43 | 5/8 | 87.5 | 45.5 |

Italy Type Wire Rope Clip 意式卡头



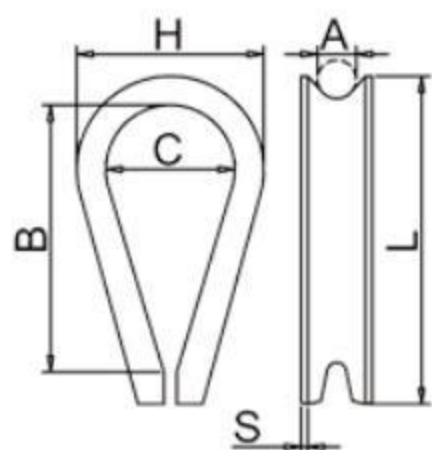
| 规格(ΦS) | A | B | C | D | L |
|--------|----|----|----|-----|----|
| mm | mm | mm | mm | mm | mm |
| 4 | 22 | 14 | 8 | M4 | 22 |
| 5 | 24 | 16 | 9 | M5 | 24 |
| 6 | 30 | 18 | 11 | M6 | 33 |
| 8 | 33 | 20 | 12 | M6 | 35 |
| 10 | 37 | 22 | 14 | M8 | 43 |
| 12 | 45 | 25 | 16 | M10 | 54 |
| 14 | 46 | 27 | 18 | M10 | 54 |
| 16 | 53 | 30 | 20 | M10 | 65 |
| 18 | 55 | 31 | 21 | M12 | 80 |
| 20 | 58 | 33 | 22 | M12 | 80 |
| 22 | 64 | 34 | 23 | M12 | 85 |

European Type Wire Rope Thimble 欧式套环

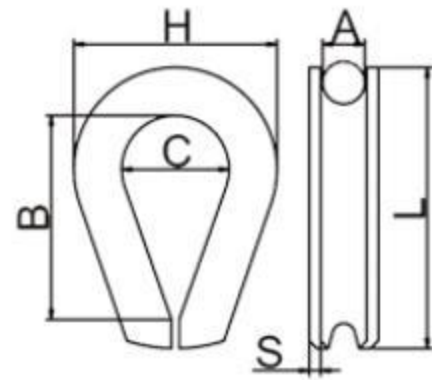


| 规格(ΦA) | B | C | H | S | L |
|--------|----|------|------|-----|-----|
| mm | mm | mm | mm | mm | mm |
| 2 | 14 | 7 | 11.5 | 0.8 | 20 |
| 3 | 16 | 10 | 16 | 0.8 | 23 |
| 4 | 18 | 11 | 17 | 1 | 25 |
| 5 | 22 | 12.5 | 20 | 1 | 32 |
| 6 | 25 | 14 | 22 | 1 | 37 |
| 8 | 34 | 18 | 29 | 1.5 | 48 |
| 10 | 43 | 24 | 37 | 1.5 | 56 |
| 12 | 48 | 27.5 | 42 | 1.5 | 67 |
| 14 | 50 | 33 | 50 | 2 | 72 |
| 16 | 64 | 38 | 55 | 2 | 85 |
| 18 | 68 | 41 | 61 | 2.5 | 93 |
| 20 | 72 | 43 | 65 | 2.5 | 101 |
| 22 | 77 | 43 | 67 | 2.5 | 106 |
| 24 | 77 | 49 | 73 | 2.5 | 110 |
| 26 | 80 | 53 | 80 | 3 | 120 |
| 28 | 90 | 55 | 85 | 3 | 130 |
| 32 | 94 | 62 | 90 | 3 | 134 |

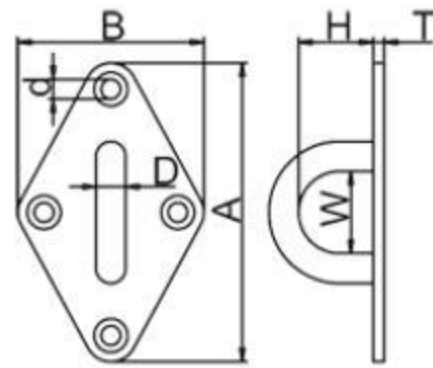
US Type G411 Wire Rope Thimble 美式薄型套环



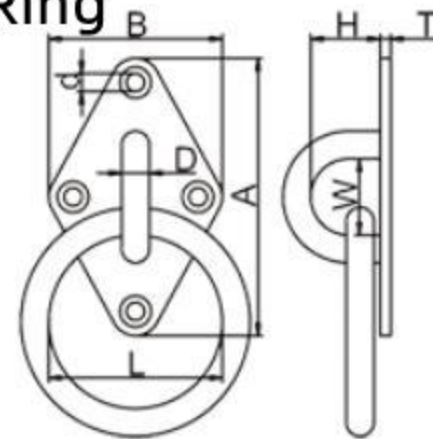
| 规格(ΦA) | B | C | H | S | L |
|--------|------|------|------|------|------|
| inch | inch | inch | inch | inch | inch |
| 1/8 | 1.31 | 0.69 | 1.06 | 0.05 | 1.94 |
| 3/16 | 1.31 | 0.69 | 1.06 | 0.05 | 1.94 |
| 1/4 | 1.31 | 0.69 | 1.06 | 0.05 | 1.94 |
| 5/16 | 1.5 | 0.81 | 1.25 | 0.05 | 2.13 |
| 3/8 | 1.63 | 0.94 | 1.47 | 0.06 | 2.38 |
| 1/2 | 1.88 | 1.13 | 1.75 | 0.08 | 2.75 |
| 5/8 | 2.25 | 1.38 | 2.38 | 0.13 | 3.5 |
| 3/4 | 2.5 | 1.63 | 2.69 | 0.14 | 3.75 |
| 7/8 | 3.5 | 1.88 | 3.19 | 0.16 | 5 |
| 1 | 4.25 | 2.5 | 3.75 | 0.16 | 6.69 |

US Type G414 Wire Rope Clip
美式重型套环


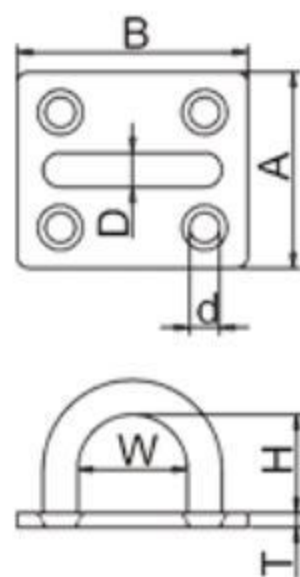
| Rope(ΦA) | B | C | H | S | L |
|----------|------|------|------|------|------|
| inch | inch | inch | inch | inch | inch |
| 1/4 | 1.63 | 0.88 | 1.5 | 0.06 | 2.19 |
| 5/16 | 1.88 | 1.06 | 1.81 | 0.08 | 2.5 |
| 3/8 | 2.13 | 1.13 | 2.13 | 0.11 | 2.88 |
| 7/16 | 2.38 | 1.25 | 2.38 | 0.13 | 3.25 |
| 1/2 | 2.75 | 1.5 | 2.75 | 0.14 | 3.63 |
| 9/16 | 2.75 | 1.5 | 2.69 | 0.14 | 3.63 |
| 5/8 | 3.25 | 1.75 | 3.13 | 0.16 | 4.25 |
| 3/4 | 3.75 | 2 | 3.81 | 0.22 | 5 |
| 7/8 | 4.25 | 2.25 | 4.25 | 0.22 | 5.5 |
| 1 | 4.5 | 2.5 | 4.94 | 0.25 | 6.13 |

菱形门扣
Diamond Eye Plate


| Size(ΦD) | A | B | d | W | H | T |
|----------|-----|----|-----|----|----|-----|
| mm | mm | mm | mm | mm | mm | mm |
| 5 | 60 | 36 | 4.2 | 16 | 13 | 2.8 |
| 6 | 65 | 40 | 5.2 | 19 | 16 | 2.8 |
| 8 | 80 | 50 | 5.2 | 22 | 19 | 2.8 |
| 10 | 100 | 60 | 5.2 | 26 | 23 | 3.8 |

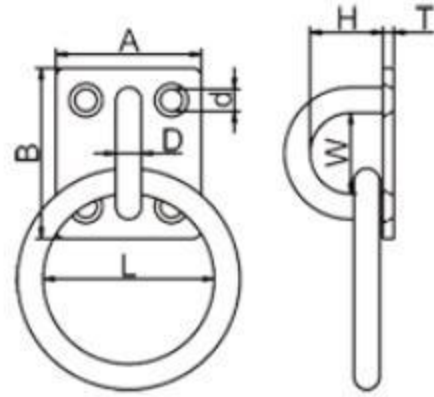
带圆环菱形门扣
Diamond Eye Plate with Ring


| Size(ΦD) | A | B | d | W | H | T | L |
|----------|-----|----|-----|----|----|-----|----|
| mm | mm | mm | mm | mm | mm | mm | mm |
| 5 | 60 | 36 | 4.2 | 16 | 13 | 2.8 | \ |
| 6 | 65 | 40 | 5.2 | 19 | 16 | 2.8 | \ |
| 8 | 80 | 50 | 5.2 | 22 | 19 | 2.8 | \ |
| 10 | 100 | 60 | 5.2 | 26 | 23 | 3.8 | \ |

方形门扣
Square Eye Plate


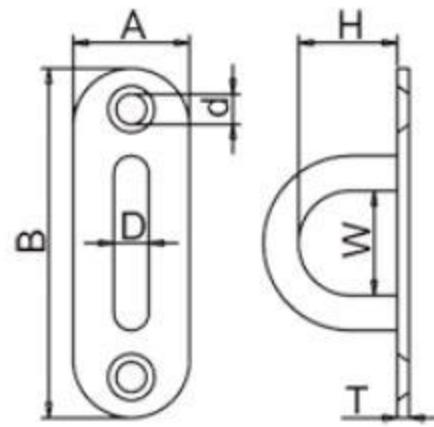
| Size(ΦD) | A | B | d | W | H | T |
|----------|----|----|-----|------|----|-----|
| mm | mm | mm | mm | mm | mm | mm |
| 4 | 25 | 28 | 3 | 11.5 | 10 | 2 |
| 5 | 30 | 35 | 4.2 | 12 | 12 | 2.8 |
| 6 | 35 | 40 | 5.2 | 17 | 17 | 2.8 |
| 8 | 40 | 50 | 5.2 | 20 | 21 | 2.8 |
| 10 | 42 | 58 | 5.2 | 28 | 24 | 3.8 |
| 12 | 54 | 75 | 5.8 | 36 | 31 | 4.8 |

Square Eye Plate with Ring 带圆环方形门扣



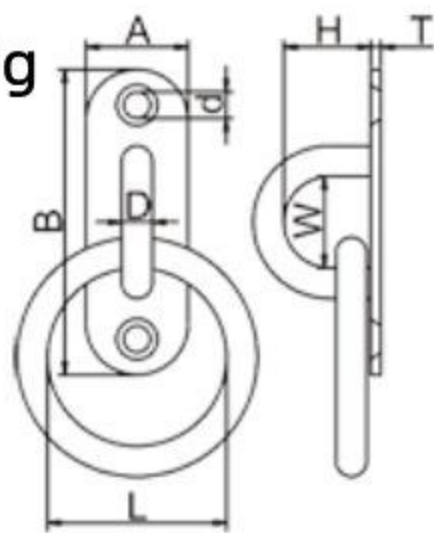
| Size(ΦD) | A | B | d | W | H | T | L |
|----------|----|----|-----|------|----|-----|----|
| mm | mm | mm | mm | mm | mm | mm | mm |
| 4 | 25 | 28 | 3 | 11.5 | 10 | 2 | \ |
| 5 | 30 | 35 | 4.2 | 14 | 12 | 2.8 | \ |
| 6 | 35 | 40 | 5.2 | 16 | 17 | 2.8 | \ |
| 8 | 40 | 50 | 5.2 | 20 | 22 | 2.8 | \ |
| 10 | 42 | 58 | 5.2 | 28 | 24 | 3.8 | \ |
| 12 | 54 | 75 | 5.8 | 36 | 31 | 4.8 | \ |

椭圆形门扣 Oval Eye Plate



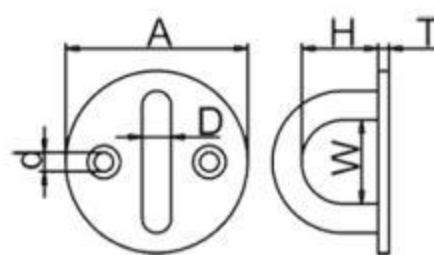
| Size(ΦD) | A | B | d | W | H | T |
|----------|----|-----|-----|------|----|-----|
| mm | mm | mm | mm | mm | mm | mm |
| 3 | 9 | 27 | 2.2 | 9.5 | 7 | 1.8 |
| 4 | 12 | 36 | 3.2 | 12.5 | 10 | 1.8 |
| 5 | 15 | 45 | 4.2 | 14 | 12 | 2.8 |
| 6 | 20 | 60 | 5.2 | 18 | 17 | 2.8 |
| 8 | 26 | 80 | 5.2 | 20 | 21 | 2.8 |
| 9 | 32 | 100 | 6.5 | 22 | 26 | 2.8 |

带圆环椭圆形门扣 Oval Eye Plate with Ring



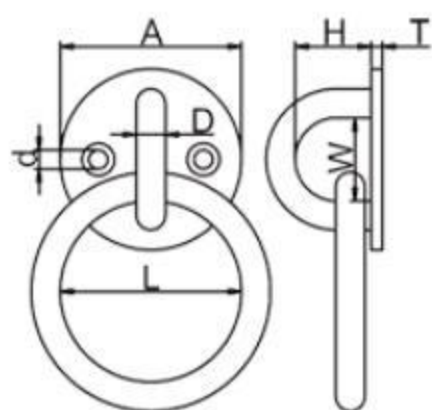
| Size(ΦD) | A | B | d | W | H | T | L |
|----------|----|-----|-----|------|----|-----|----|
| mm | mm | mm | mm | mm | mm | mm | mm |
| 3 | 9 | 27 | 2.2 | 9.5 | 7 | 1.8 | \ |
| 4 | 12 | 36 | 3.2 | 12.5 | 10 | 1.8 | \ |
| 5 | 15 | 45 | 4.2 | 14 | 12 | 2.8 | \ |
| 6 | 20 | 60 | 5.2 | 18 | 17 | 2.8 | \ |
| 8 | 26 | 80 | 5.2 | 20 | 21 | 2.8 | \ |
| 9 | 32 | 100 | 6.5 | 22 | 26 | 2.8 | \ |

圆形门扣 Round Eye Plate



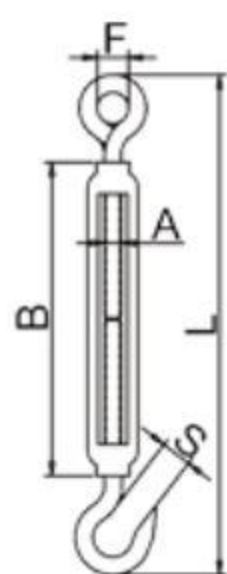
| Size(ΦD) | A | H | W | T | d |
|----------|----|----|----|-----|-----|
| mm | mm | mm | mm | mm | mm |
| 5 | 33 | 12 | 12 | 2.8 | 4.2 |
| 6 | 40 | 17 | 17 | 2.8 | 5.2 |
| 8 | 50 | 21 | 20 | 2.8 | 5.2 |

Round Eye Plate with Ring 带圆环圆形门扣



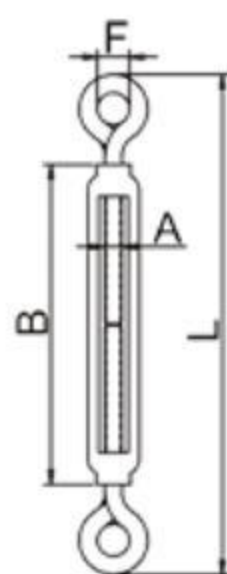
| Size(ΦD) | A | H | W | T | d | L |
|----------|----|----|----|-----|-----|----|
| mm | mm | mm | mm | mm | mm | mm |
| 5 | 33 | 12 | 12 | 2.8 | 4.2 | \ |
| 6 | 40 | 17 | 17 | 2.8 | 5.2 | \ |
| 8 | 50 | 21 | 20 | 2.8 | 5.2 | \ |

European Type Hook and Eye Turnbuckle 欧式开体花篮(钩圈)



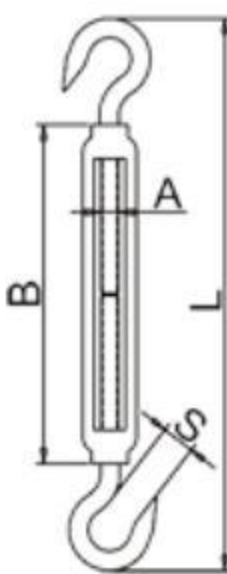
| Size(A) | B | F | S | WLL |
|---------|-----|----|----|------|
| mm | mm | mm | mm | kg |
| M4 | 58 | 8 | 7 | 25 |
| M5 | 70 | 9 | 8 | 40 |
| M6 | 90 | 10 | 9 | 100 |
| M8 | 120 | 14 | 13 | 200 |
| M10 | 150 | 16 | 15 | 300 |
| M12 | 200 | 18 | 15 | 500 |
| M16 | 250 | 21 | 20 | 800 |
| M20 | 300 | 25 | 22 | 1200 |

European Type Eye and Eye Turnbuckle 欧式开体花篮(圈圈)



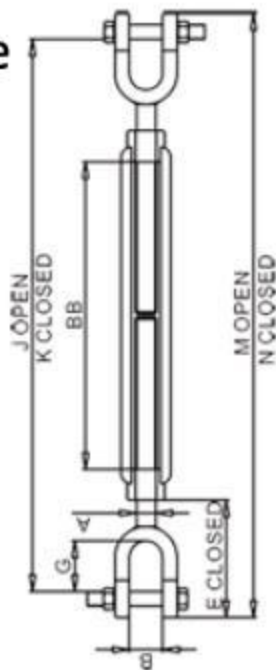
| Size(A) | B | F | WLL |
|---------|-----|----|------|
| mm | mm | mm | kg |
| M4 | 58 | 8 | 25 |
| M5 | 70 | 9 | 40 |
| M6 | 90 | 10 | 100 |
| M8 | 120 | 14 | 200 |
| M10 | 150 | 16 | 300 |
| M12 | 200 | 18 | 500 |
| M16 | 250 | 21 | 800 |
| M20 | 300 | 25 | 1200 |

European Type Hook and Hook Turnbuckle 欧式开体花篮(钩钩)



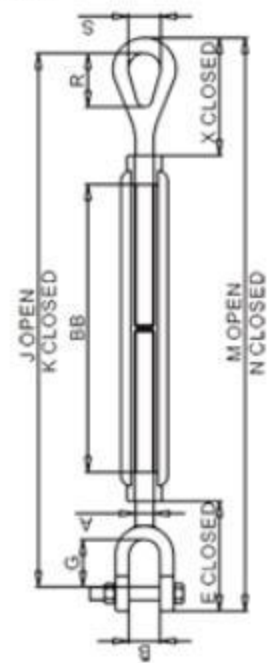
| Size(A) | B | S | WLL |
|---------|-----|----|------|
| mm | mm | mm | kg |
| M4 | 58 | 7 | 25 |
| M5 | 70 | 8 | 40 |
| M6 | 90 | 9 | 100 |
| M8 | 120 | 13 | 200 |
| M10 | 150 | 15 | 300 |
| M12 | 200 | 15 | 500 |
| M16 | 250 | 20 | 800 |
| M20 | 300 | 22 | 1200 |

US Type Jaw and Jaw Turnbuckle 美式花篮叉叉型

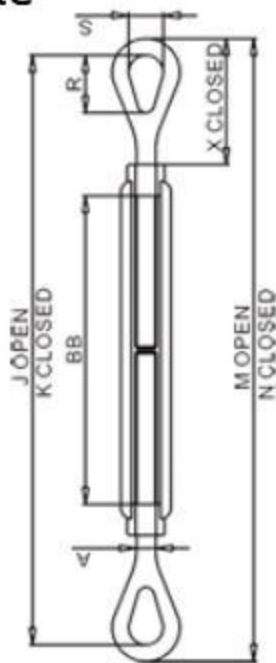


| Size | A | G | J | M | N | BB | WLL |
|------------|------|------|-------|-------|-------|------|-------|
| inch | inch | inch | inch | inch | inch | inch | lbs |
| 1/4×4 | 0.25 | 0.62 | 10.9 | 11.9 | 7.9 | 4 | 500 |
| 5/16×4-1/2 | 0.31 | 0.87 | 12.36 | 13.9 | 9.4 | 4.5 | 800 |
| 3/8×6 | 0.38 | 0.87 | 16.14 | 17.38 | 11.38 | 6 | 1200 |
| 1/2×6 | 0.5 | 1.06 | 17.5 | 19 | 13 | 6 | 2200 |
| 1/2×9 | 0.5 | 1.06 | 23.5 | 25 | 16 | 9 | 2200 |
| 1/2×12 | 0.5 | 1.06 | 29.5 | 31 | 19 | 12 | 2200 |
| 5/8×6 | 0.63 | 1.31 | 18.8 | 20.88 | 14.88 | 6 | 3500 |
| 5/8×9 | 0.63 | 1.31 | 24.8 | 26.88 | 17.88 | 9 | 3500 |
| 5/8×12 | 0.63 | 1.31 | 30.8 | 32.88 | 20.88 | 12 | 3500 |
| 3/4×6 | 0.75 | 1.5 | 20 | 22.6 | 16.6 | 6 | 5200 |
| 3/4×9 | 0.75 | 1.5 | 26 | 28.6 | 19.6 | 9 | 5200 |
| 3/4×12 | 0.75 | 1.5 | 32 | 34.6 | 22.6 | 12 | 5200 |
| 3/4×18 | 0.75 | 1.5 | 44 | 46.6 | 28.6 | 18 | 5200 |
| 7/8×12 | 0.88 | 1.75 | 33.36 | 36.32 | 24.32 | 12 | 7200 |
| 7/8×18 | 0.88 | 1.75 | 43.36 | 48.32 | 30.32 | 18 | 7200 |
| 1×6 | 1 | 2.06 | 22.72 | 26.06 | 20.06 | 6 | 10000 |
| 1×12 | 1 | 2.06 | 34.72 | 38.06 | 26.06 | 12 | 10000 |
| 1×18 | 1 | 2.06 | 46.72 | 50.06 | 32.06 | 18 | 10000 |
| 1×24 | 1 | 2.06 | 58.72 | 62.06 | 38.06 | 24 | 10000 |
| 1-1/4×12 | 1.25 | 2.81 | 37.34 | 41.54 | 29.54 | 12 | 15200 |
| 1-1/4×18 | 1.25 | 2.81 | 49.34 | 53.54 | 35.54 | 18 | 15200 |
| 1-1/4×24 | 1.25 | 2.81 | 61.34 | 65.54 | 41.54 | 24 | 15200 |
| 1-1/2×12 | 1.5 | 2.81 | 38.5 | 43.5 | 31.5 | 12 | 21400 |
| 1-1/2×18 | 1.5 | 2.81 | 50.5 | 55.5 | 37.5 | 18 | 21400 |
| 1-1/2×24 | 1.5 | 2.81 | 62.5 | 67.5 | 43.5 | 24 | 21400 |
| 1-3/4×18 | 1.75 | 3.38 | 53.38 | 59.18 | 41.18 | 18 | 28000 |
| 1-3/4×24 | 1.75 | 3.38 | 65.38 | 71.18 | 47.18 | 24 | 28000 |
| 2×24 | 2 | 3.69 | 69.54 | 76.72 | 52.12 | 24 | 37000 |
| 2-1/2×24 | 2.5 | 4.44 | 72.98 | 82.18 | 58.18 | 24 | 60000 |
| 2-3/4×24 | 2.75 | 4.19 | 74.75 | 85.5 | 61.5 | 24 | 75000 |

US Type Eye and Jaw Turnbuckle 美式花篮圈叉型

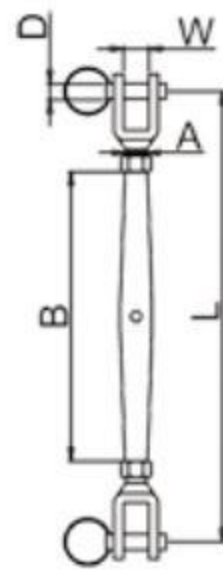


US Type Eye and Eye Turnbuckle 美式花篮圈圈型



Pipe Body Jaw and Jaw Turnbuckle

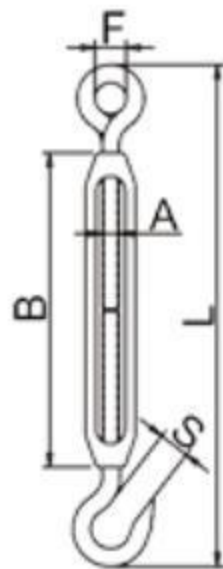
封闭花篮叉叉型



| Size(A) | W | B | ΦD | WLL |
|---------|------|-----|----|------|
| mm | mm | mm | mm | kg |
| M5 | 7.5 | 80 | 5 | 250 |
| M6 | 8 | 95 | 6 | 350 |
| M8 | 11 | 105 | 8 | 700 |
| M10 | 12 | 125 | 9 | 1000 |
| M12 | 15 | 150 | 12 | 1500 |
| M14 | 15 | 165 | 14 | 1600 |
| M16 | 17.5 | 190 | 16 | 2300 |
| M20 | 19.5 | 210 | 19 | 3000 |

JIS Type Hook and Eye Turnbuckle

日式花篮钩圈型



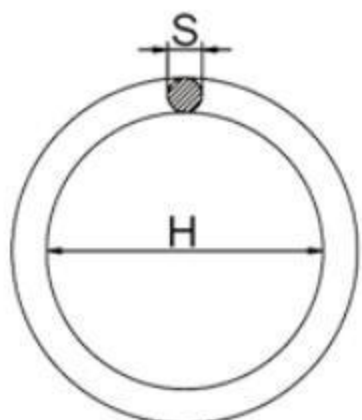
| Size(A) | B | L | F | S | WLL |
|---------|-----|-----|----|-----|------|
| mm | mm | mm | mm | mm | kg |
| M4 | 56 | 100 | 7 | 6.5 | 25 |
| M5 | 70 | 115 | 8 | 9 | 40 |
| M6 | 90 | 145 | 10 | 10 | 100 |
| M8 | 120 | 185 | 14 | 11 | 200 |
| M10 | 150 | 230 | 16 | 12 | 300 |
| M12 | 200 | 290 | 18 | 14 | 500 |
| M16 | 250 | 375 | 26 | 16 | 800 |
| M20 | 300 | 450 | 30 | 18 | 1200 |

DIN1480 Type Hook and Hook Turnbuckle

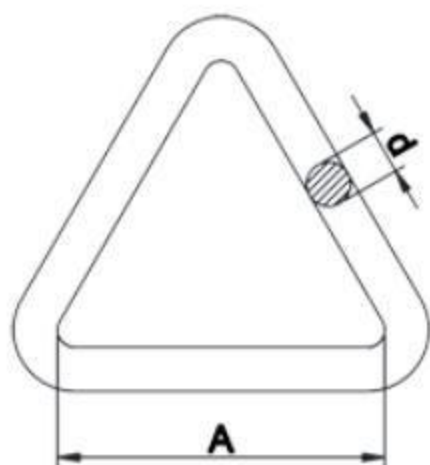
1480 花篮



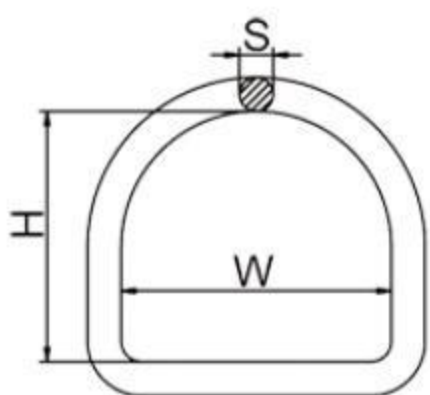
| Size | L | L1 | D | S | WLL |
|------|-----|-----|----|----|-----|
| mm | mm | mm | mm | mm | Kg |
| M5 | 90 | 140 | 8 | 7 | 40 |
| M6 | 110 | 170 | 10 | 9 | 70 |
| M8 | 110 | 180 | 12 | 10 | 140 |
| M10 | 125 | 210 | 14 | 11 | 170 |
| M12 | 125 | 240 | 18 | 14 | 240 |
| M16 | 170 | 320 | 22 | 18 | 450 |
| M20 | 200 | 370 | 25 | 20 | 680 |

**圆形环
Welded Round Ring**


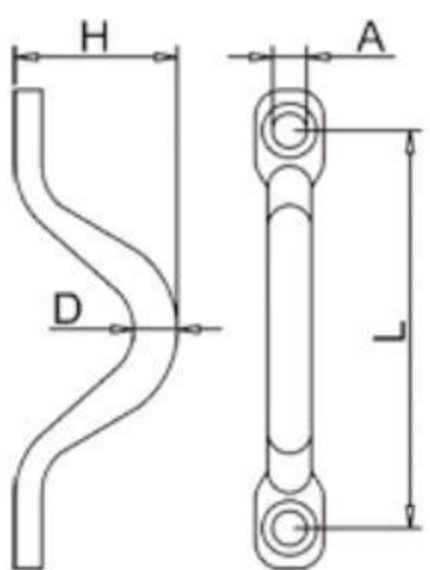
| Size | ΦS | W | H |
|-------|----|----|----|
| mm | mm | mm | mm |
| 3*25 | 3 | 25 | 22 |
| 4*30 | 4 | 30 | 27 |
| 5*40 | 5 | 40 | 37 |
| 6*40 | 6 | 40 | 37 |
| 8*50 | 8 | 50 | 47 |
| 10*50 | 10 | 50 | 47 |
| 支持定制 | / | / | / |

**三角形环
Triangle Ring**


| Size | Φd | A |
|------|----|----|
| mm | mm | mm |
| 3*30 | 3 | 30 |
| 4*40 | 4 | 40 |
| 5*40 | 5 | 40 |
| 6*45 | 6 | 45 |
| 6*50 | 6 | 50 |
| 8*45 | 8 | 45 |
| 支持定制 | / | / |

**D形环
D Ring**


| Size | ΦS | W | H |
|-------|----|----|----|
| mm | mm | mm | mm |
| 3*25 | 3 | 25 | 22 |
| 4*30 | 4 | 30 | 27 |
| 5*40 | 5 | 40 | 37 |
| 6*50 | 6 | 50 | 47 |
| 8*50 | 8 | 50 | 47 |
| 10*50 | 10 | 50 | 47 |
| 支持定制 | / | / | / |

**骆驼背
Wire Eye Strap**


| Size(ΦD) | A | H | L |
|----------|-----|------|----|
| mm | mm | mm | mm |
| 4 | 3.2 | 16 | 32 |
| 5 | 4.2 | 17.5 | 40 |
| 6 | 5.2 | 22.5 | 45 |
| 8 | 5.2 | 23 | 50 |
| 10 | 8.2 | 28 | 62 |